



JOB NAME:	CONTRACTOR:
JOB LOCATION:	APPROVAL:
ENGINEER:	CONTRACTOR P.O.:
APPROVAL:	REPRESENTATIVE:

### 8P2DAPVC

**PVC-BV2 DIRECT MOUNT, 2-WAY PVC, FULL PORT BALL VALVE W DOUBLE ACTING PNEUMATIC ACTUATOR**

### 8P2SRPVC

**PVC-BV2 DIRECT MOUNT, 2-WAY PVC, FULL PORT BALL VALVE W SPRING RETURN PNEUMATIC ACTUATOR**

### 8P2DACPVC

**CPVC-BV2 DIRECT MOUNT, 2-WAY PVC, FULL PORT BALL VALVE W DOUBLE ACTING PNEUMATIC ACTUATOR**

**SIZES 1/2" TO 4"**

### 8P2SRCPVC

**CPVC-BV2 DIRECT MOUNT, 2-WAY PVC, FULL PORT BALL VALVE W SPRING RETURN PNEUMATIC ACTUATOR**

**SIZES 1/2" TO 4"**

## SPECIFICATIONS

The valve body, stem, ball and unions shall be made of PVC compound which shall meet classification 12454 of ASTM D 1784, or the valve body, stem, ball and unions shall be made of CPVC compound and shall meet classification 23447 of ASTM D 1784. The ball seats shall be made of PTFE and the O-Ring seals shall be made of EPDM.

The PVC IPS/Socket connectors shall conform to the dimensional standards ASTM D2466 and ASTM D2467, and the CPVC shall conform to the dimensional standard ASTM F439. The NPT PVC connectors shall conform to the dimensional standards of ASTM D2464, ASTM F1498, and ANSI B1.20.1 thread depths. The NPT CPVC shall conform to ASTM F437, ASTM F1498, and ANSI B1.20.1 thread depths.

The rack and pinion style pneumatic actuator body shall be made from hard anodized extruded aluminum, and shall incorporate adjustable side 0-90 adjustable limit stops that do not internally enter the cylinder bore. The actuator temperature range shall be -4°F to 302°F.

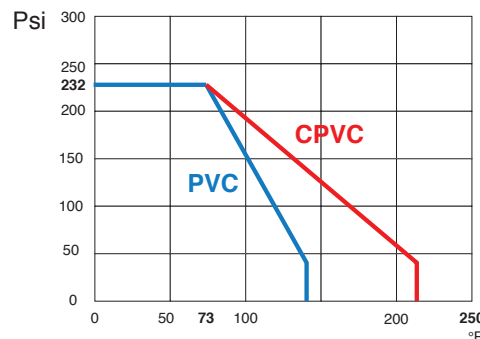
## ACTUATOR FEATURES

- Hard anodized extruded aluminum body
- Concentric spring sets
- Die cast aluminum end caps
- Solid steel barstock pinion (not casting)
- 0°-90° rotation adjustment cam
- 0°-90° rotation adjustment bolts
- POM piston guides
- Minimum air pressure rating: 80 psi
- Maximum air pressure rating: 116 psi
- Working temperature: -4°F - 302°F
- No lubrication maintenance required for the entire actuator lifetime
- 100% factory tested

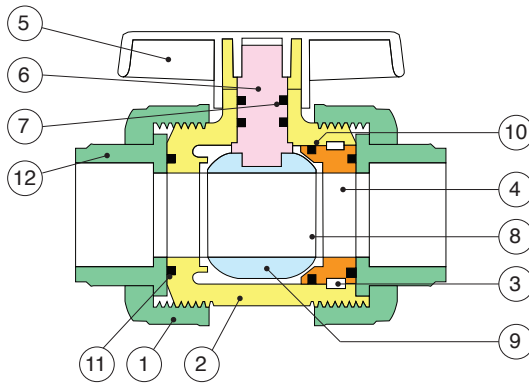
## VALVE FEATURES

- 2-Way Full Port
- Size Range 1/2" Through 4"
- NPT and Socket Ends included up to 2"
- Socket Ends included in 2-1/2" to 4" (NPT ends available at additional cost)
- EPDM Seats and Seals
- Dual Union Nut Locks
- 232 PSI at 73°F
- Viton Seats and Seals Available

## PRESSURE TEMPERATURE CHART FOR PVC-BV2/CPVC-BV2

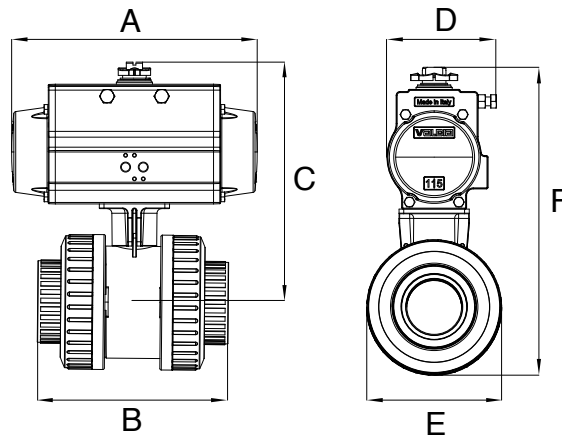


**BILL OF MATERIALS FOR PVC-BV2/CPVC-BV2**



N POS	PART NAME	MATERIAL	N PCS
1	UNION NUT	PVC/CPVC/PP	2
2	BODY	PVC/CPVC/PP	1
3	LOCKING STRIP	PVDF	1
4	CARRIER	PVC/CPVC/PP	1
5	HANDLE	ABS	1
6	STEM	PVC/CPVC/PP	1
7	STEM O-RING	EPDM/VITON/Silicone	2
8	BALL SEAT	PTFE	2
9	BALL	PVC/CPVC/PP	1
10	CARRIER O-RING	EPDM/VITON/Silicone	1
11	FACE O-RING	EPDM/VITON/Silicone	2
12	CONNECTOR	PVC/CPVC/PP	2

**DIMENSIONS**



**8P2DAPVC**

WITH DOUBLE ACTING ACTUATOR

**8P2DACPVC**

WITH DOUBLE ACTING ACTUATOR

SIZE	A	B	C	D	E	F	ACT.
1/2"	5.55	3.78	6.31	2.80	2.13	7.51	DA52V
3/4"	5.55	4.13	6.97	2.80	2.48	7.51	DA52V
1"	5.55	4.61	7.44	2.80	2.83	7.51	DA52V
1-1/4"	5.55	5.35	8.00	2.80	3.35	7.51	DA52V
1-1/2"	5.55	5.79	8.51	2.80	4.65	7.51	DA52V
2"	6.46	6.85	9.80	3.17	6.18	7.96	DA63V
2-1/2"	8.27	8.31	11.99	3.72	6.85	8.67	DA75V
3"	8.27	9.76	12.46	3.72	8.35	8.67	DA75V
4"	9.47	11.14	14.10	4.17	8.35	9.22	DA85V

**8P2SRPVC**

WITH SPRING RETURN ACTUATOR

**8P2SRCPVC**

WITH SPRING RETURN ACTUATOR

SIZE	A	B	C	D	E	F	ACT.
1/2"	5.55	3.78	2.80	5.93	2.13	7.51	SR52V
3/4"	5.55	4.13	2.80	6.44	2.48	7.51	SR52V
1"	5.55	4.61	2.80	6.80	2.83	7.51	SR52V
1-1/4"	6.46	5.35	3.17	7.68	3.35	7.96	SR63V
1-1/2"	6.46	5.79	3.17	8.07	4.65	7.96	SR63V
2"	8.27	6.85	3.72	9.49	6.18	8.67	SR75V
2-1/2"	9.47	8.31	4.17	11.30	6.85	9.22	SR85V
3"	10.83	9.76	4.84	12.16	8.35	9.72	SR100V
4"	13.11	11.14	5.39	14.44	8.35	11.08	SR115V